

Installation Instruction for Pneumatic Expansion Lift Down Spring

Material:

Steel, Silver/Nickel Plated.

Size

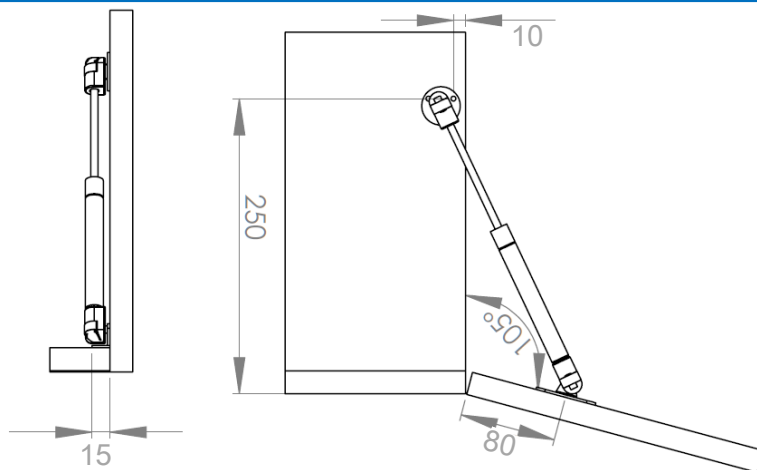
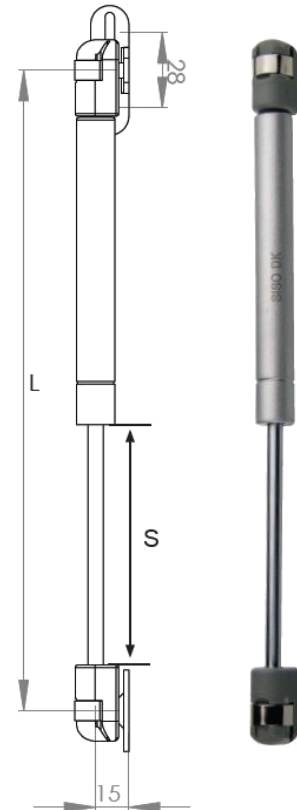
Piston: $\varnothing 6$ mm

Cylinder: $\varnothing 15$ mm

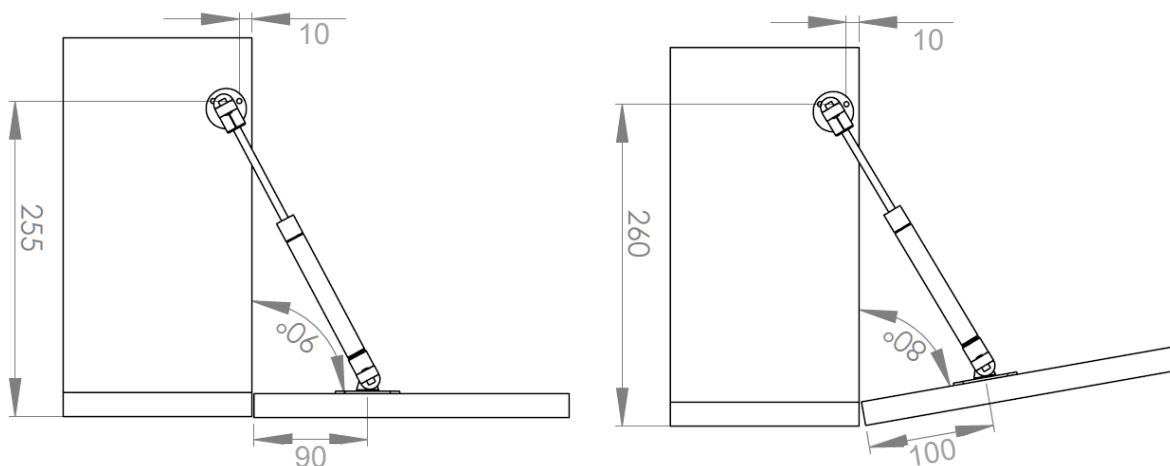
Stroke (S): 92 mm

Length (L): 247 mm

Pneumatic expansion lift down spring, available in 60N, 80N, 100N & 120N.



Simple installation of Spring, suitable for wood door and aluminium frame.



Warning!

Please do not use lubrication oil or similar, it could affect the function of the gas spring. Please screw on the fixing plates well aligned onto the sidepanel/door.